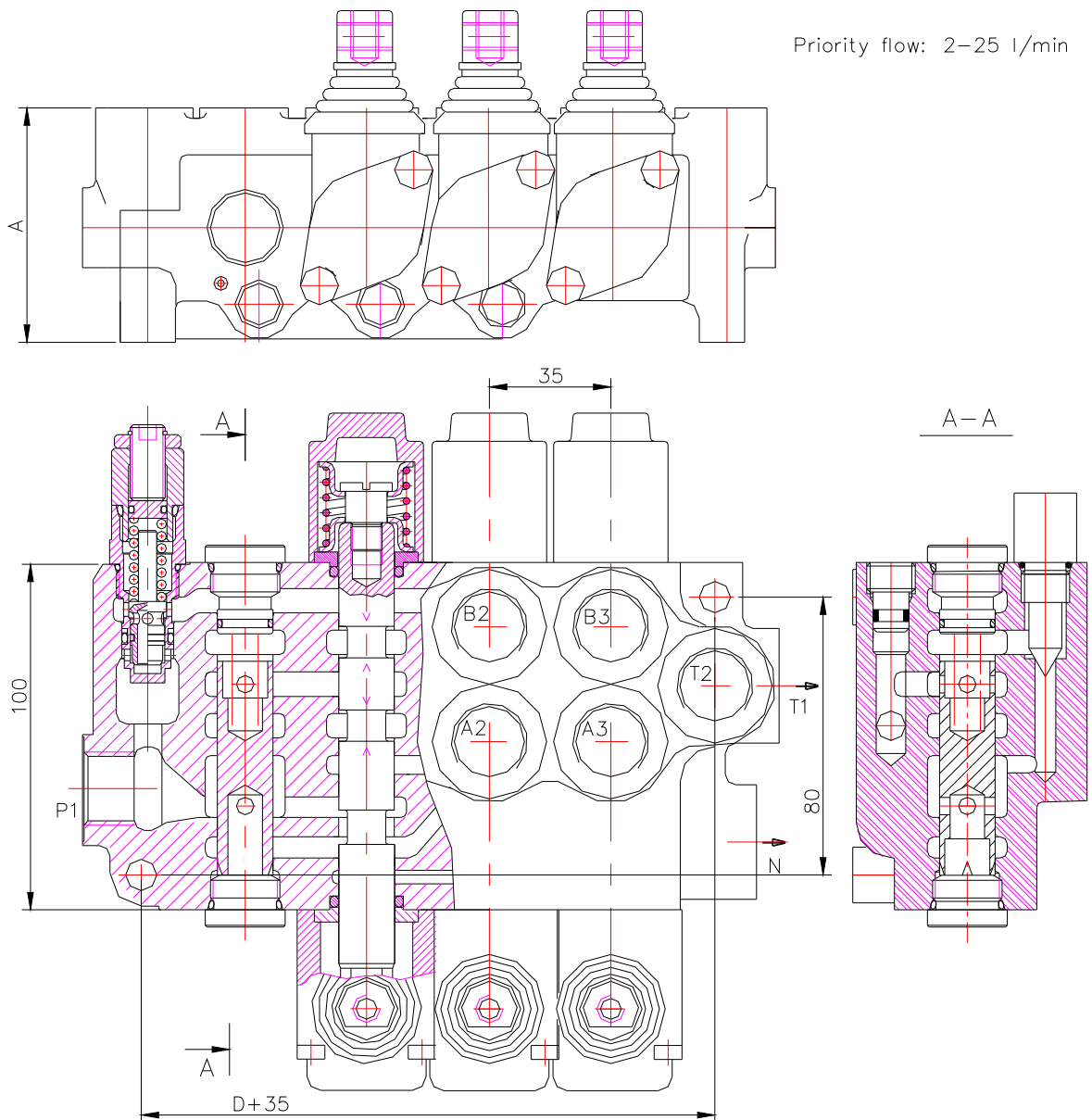


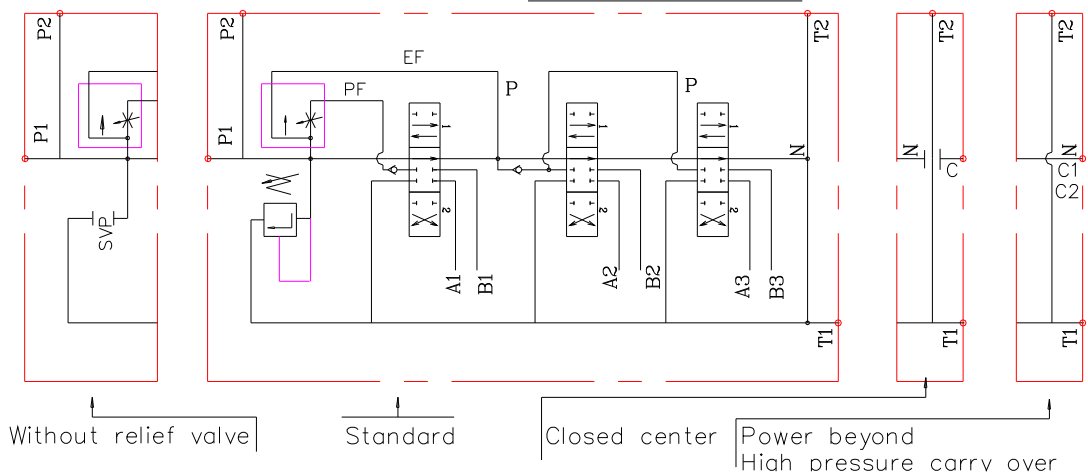
The monoblock valves PF derive from the P40 and differ from them by having at the Inlet 3-ways priority integrated and pressure compensated flow regulator. The first spool ruled by the priority flow (PF) and the second by the exceeding flow (EF). The flow regulator only works when the first spool is not actuated the whole flow goes to second or third elements.

All other P40 technical data refers to PF40 valve too.



Priority flow: 2–25 l/min

3PF40 1A1A1A1 GKZ1



Without relief valve

Standard

Closed center

Power beyond  
High pressure carry over