

All other DVS6-6/2L technical data refers to DVS6-6/2L-H valve too.

Directional valves DVS6-6/2-H are with Hand control system. They are used as link between two consumers and the basic directional valve, when we want to control both consumers alternately by means of one basic directional valve.

Ordering code

2DVS6-6/2-L-H-G38-

Drainage

Hand control

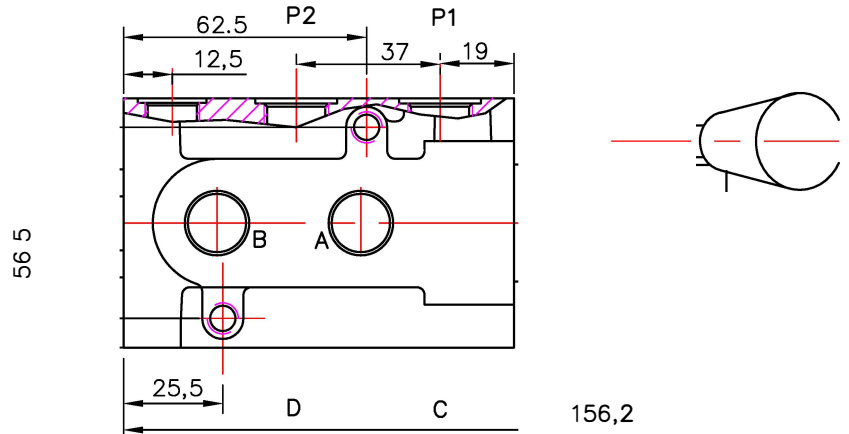
Threaded connections

other

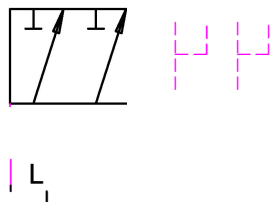
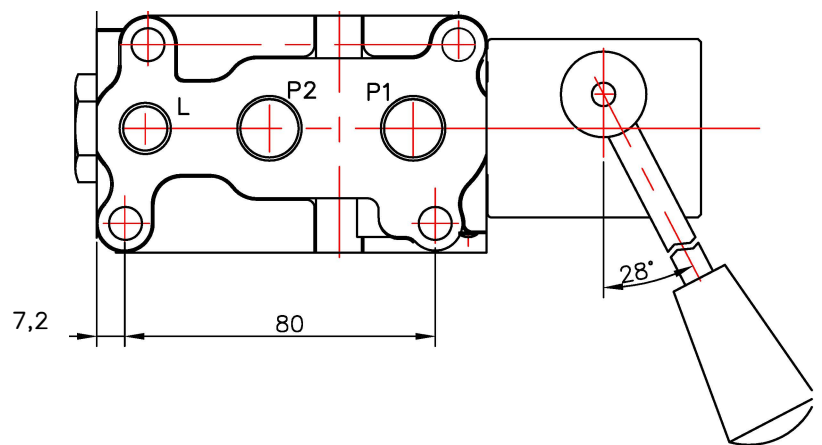
Supply voltage 12DC or 24DC

code Threaded connections

- G38 P1, P2, A, B, C, D - G3/8 ; L = G1/4
- G12 P1, P2, A, B, C, D - G1/2 ; L = G1/4
- G18 P1, P2, A, B, C, D - M18x1.5 ; L = M14x1.5
- G22 P1, P2, A, B, C, D - M22x1.5 ; L = M14x1.5



13,2 80 ±0.15



C A D B

P1 P2

for stacking 1-5 units

Flow rate		l/min	50	Hand control
max P	with L	bar	315	
max P	without L	bar	210	
oil temperature		°C	-20+70	
viscosity		mm ² /s	15-380	
filtration	NAS1638		9	