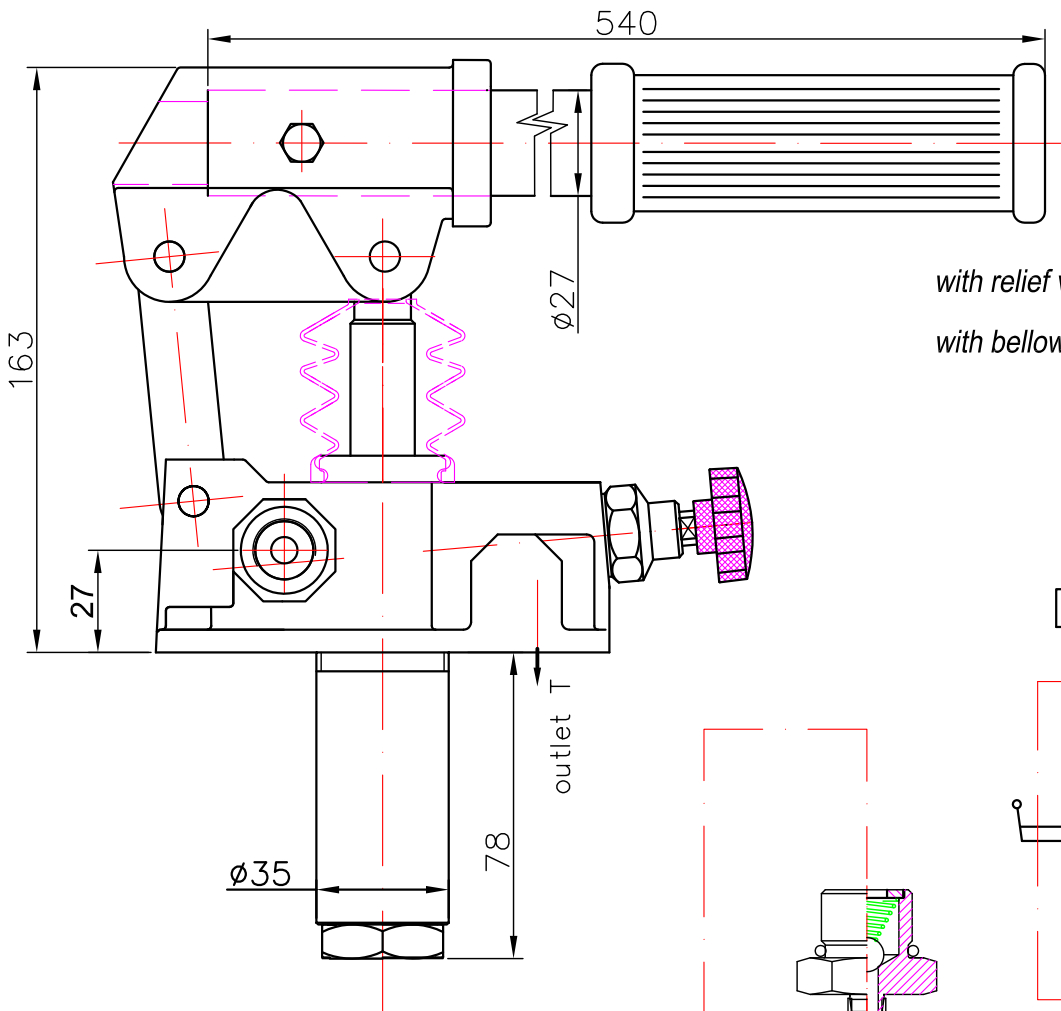


PISTON HAND PUMP

double acting function
for a single acting cylinder

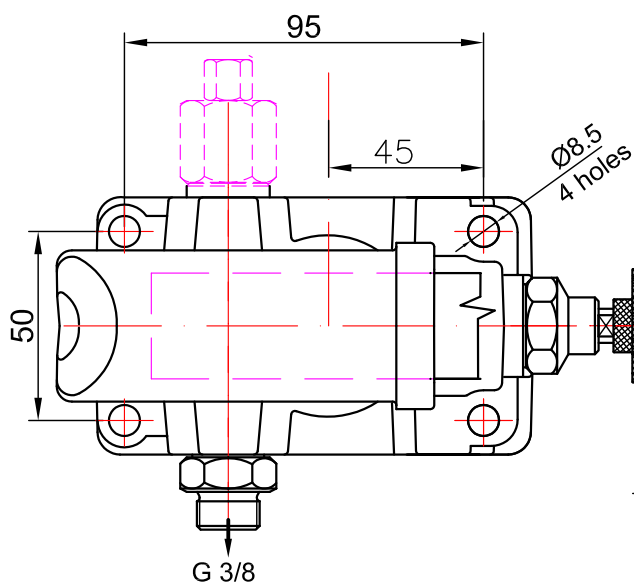
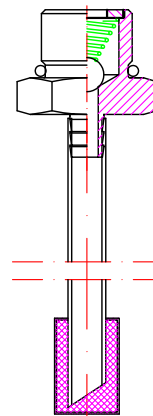
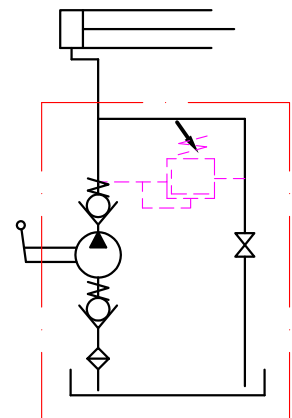
PRB 12 ...

PRB 25 ...



with relief valve - R

with bellows - M



Article № / Означеніе /	PRB12..	PRB25..
Working volume (cm ³) / Работен обем /	12	25
Rated pressure (bar) / Номинално налягане /	320	250
Weight (kg) / Маса /	4.0	4.2

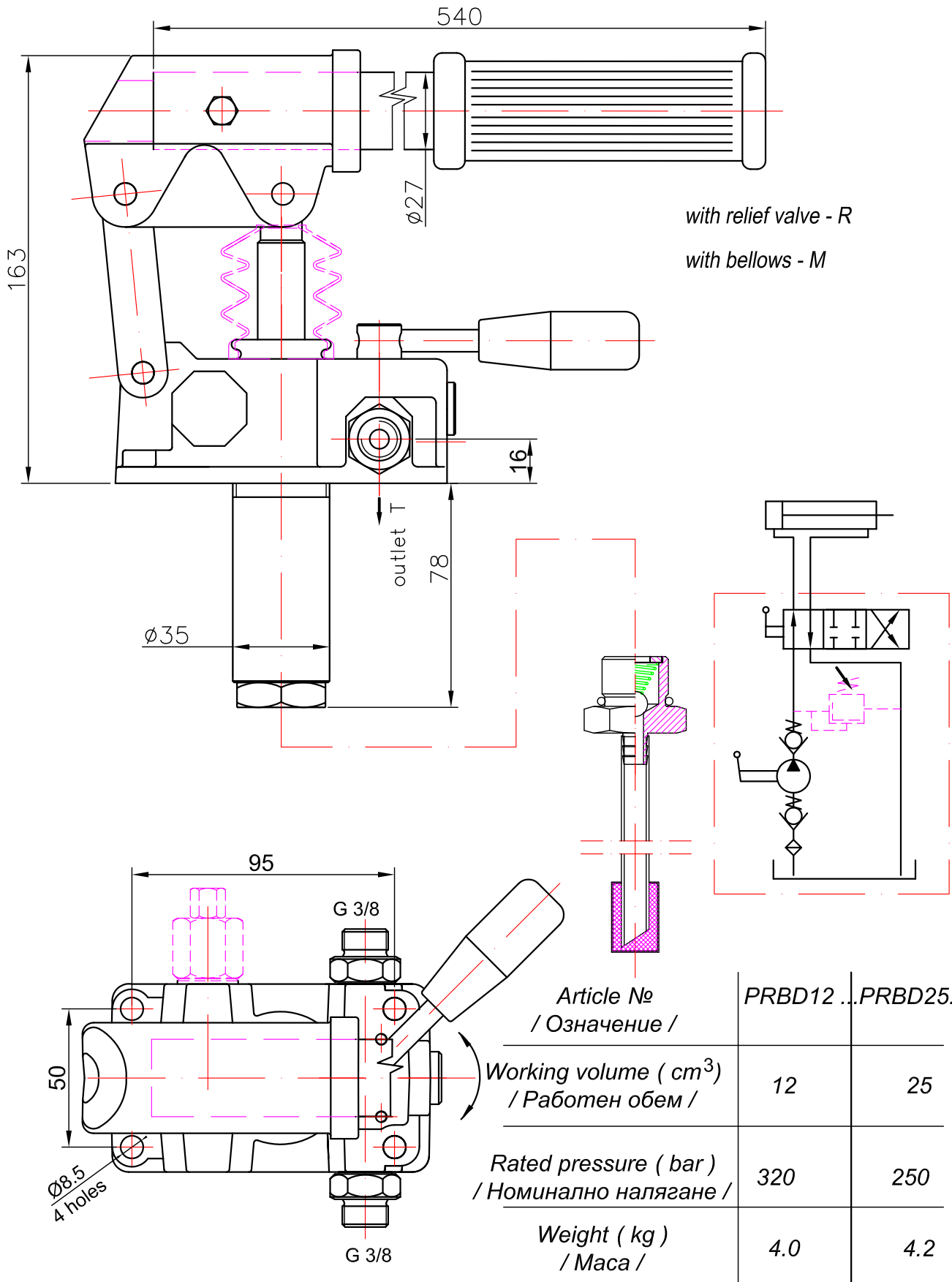
july 2011

PISTON HAND PUMP

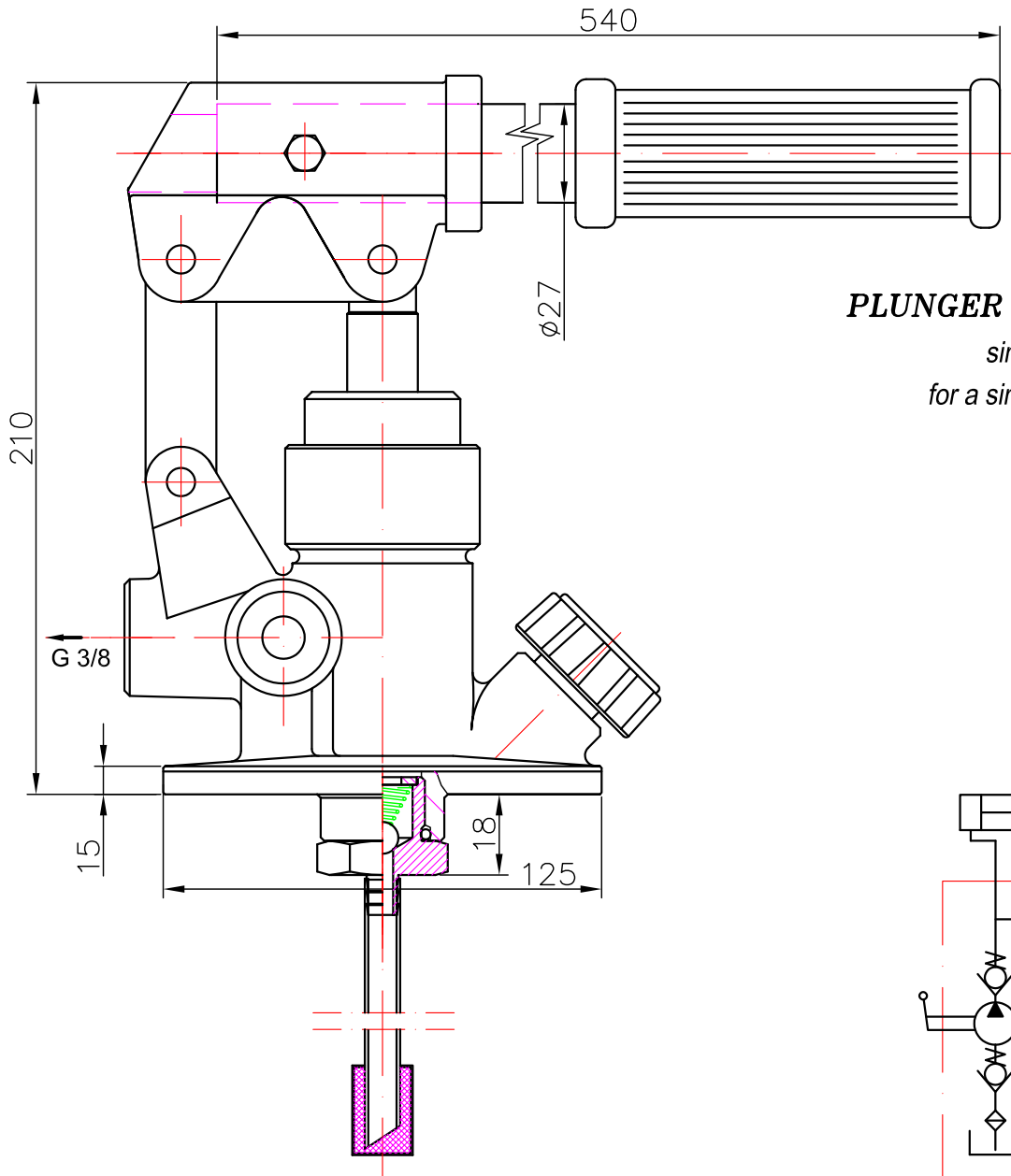
double acting function
for a double acting cylinder

PRBD 12 ...

PRBD 25 ...



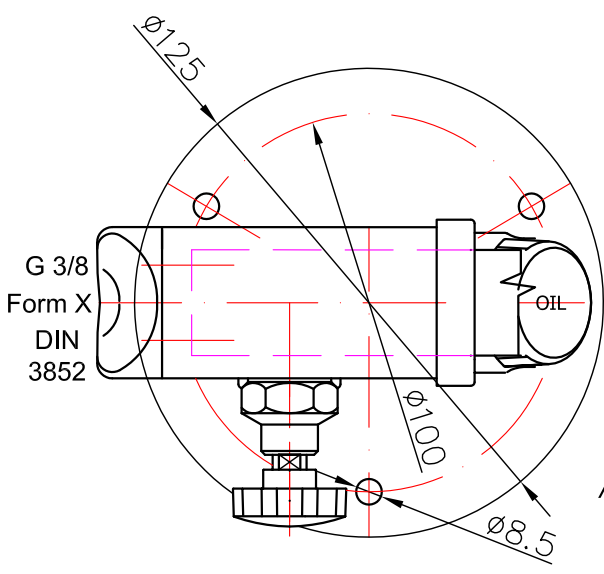
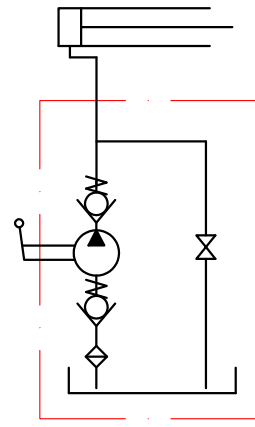
Article № / Означение /	PRBD12 ...	PRBD25...
Working volume (cm ³) / Работен обем /	12	25
Rated pressure (bar) / Номинално налягане /	320	250
Weight (kg) / Маса /	4.0	4.2



PLUNGER HAND PUMP

single acting function
for a single acting cylinder

- PRP 12 ...
- PRP 18 ...
- PRP 25 ...



Article № / Означение /	PRP 12	PRP 18	PRP 25
Working volume (cm ³) / Работен обем /	12	18	25
Rated pressure (bar) / Номинално налягане /	300	200	160
Weight (kg) / Маса /	4.6	4.6	4.6