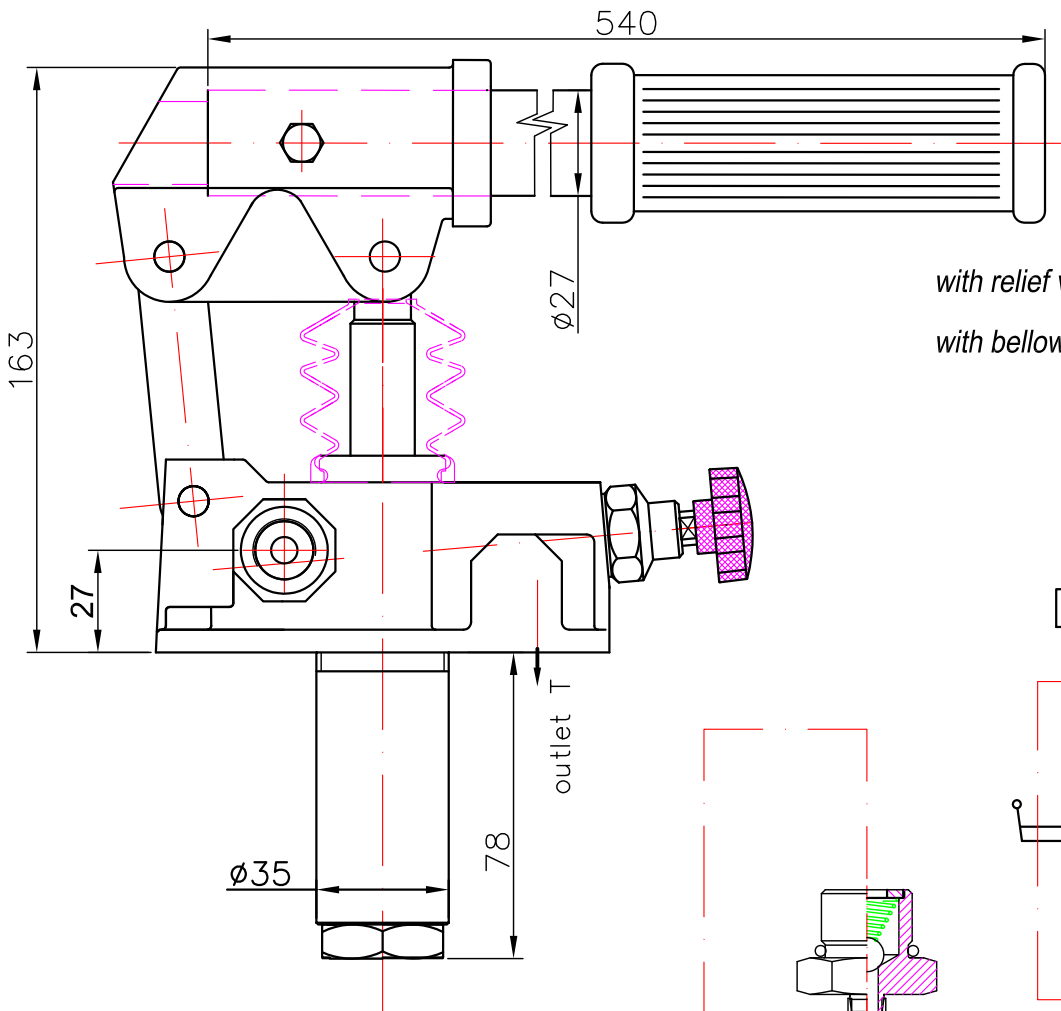


# PISTON HAND PUMP

double acting function  
for a single acting cylinder

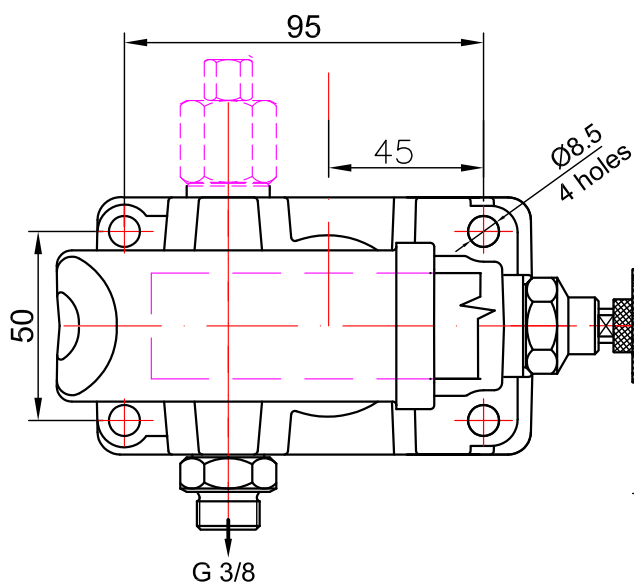
PRB 12 ...

PRB 25 ...



with relief valve - R

with bellows - M



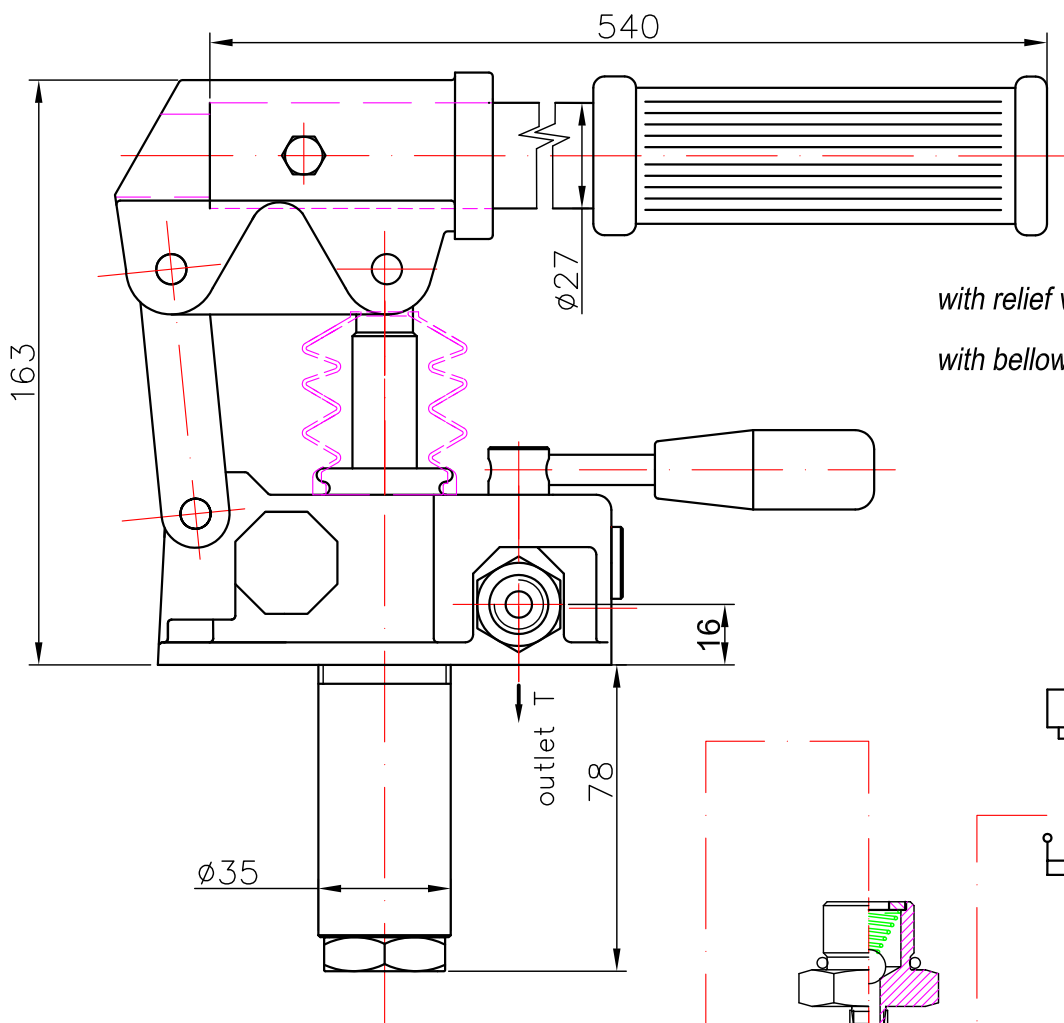
Article № / Означеніе /	PRB12..	PRB25..
Working volume ( cm <sup>3</sup> ) / Работен обем /	12	25
Rated pressure ( bar ) / Номинално налягане /	320	250
Weight ( kg ) / Маса /	4.0	4.2

# PISTON HAND PUMP

double acting function  
for a double acting cylinder

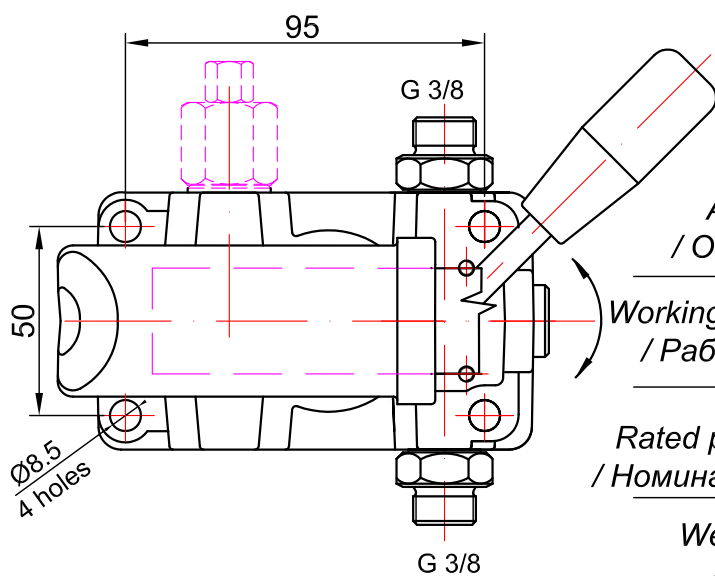
PRBD 12 ...

PRBD 25 ...

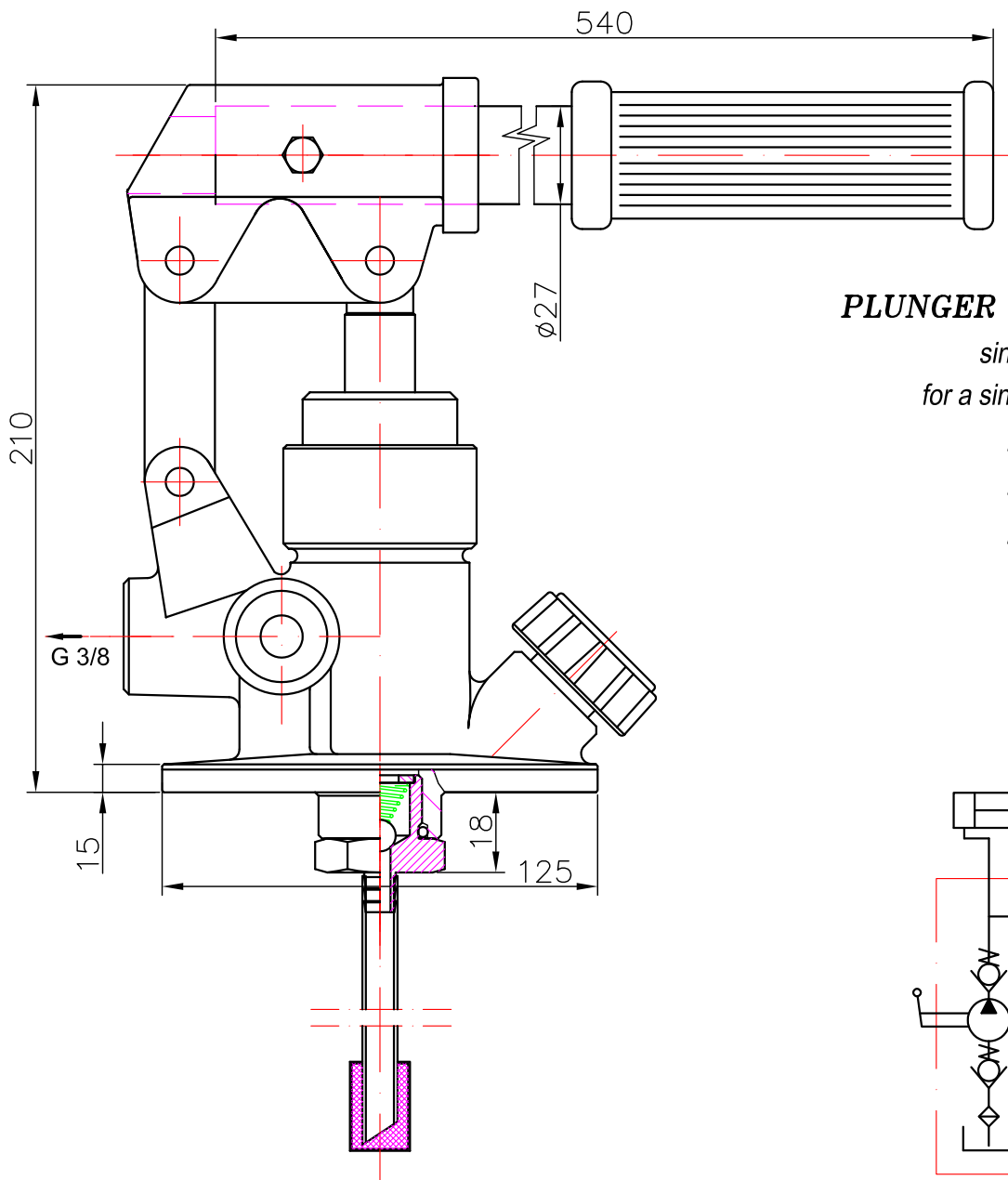


with relief valve - R

with bellows - M



Article № / Означение /	PRBD12 ...	PRBD25...
Working volume ( cm <sup>3</sup> ) / Работен обем /	12	25
Rated pressure ( bar ) / Номинално налягане /	320	250
Weight ( kg ) / Маса /	4.0	4.2



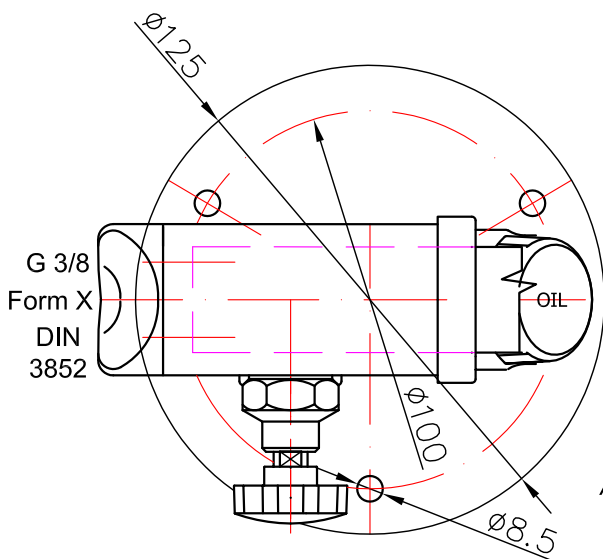
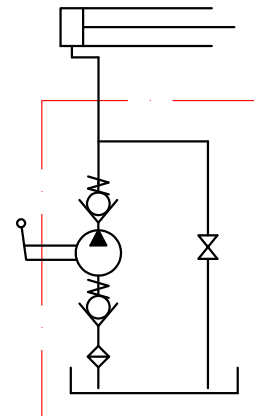
## PLUNGER HAND PUMP

single acting function  
for a single acting cylinder

PRP 12 ...

PRP 18 ...

PRP 25 ...



Article № / Означение /	PRP 12	PRP 18	PRP 25
Working volume ( cm <sup>3</sup> ) / Работен обем /	12	18	25
Rated pressure ( bar ) / Номинално налягане /	300	200	160
Weight ( kg ) / Маса /	4.6	4.6	4.6

july 2011